

# To set RIVKLE® blind rivet nuts

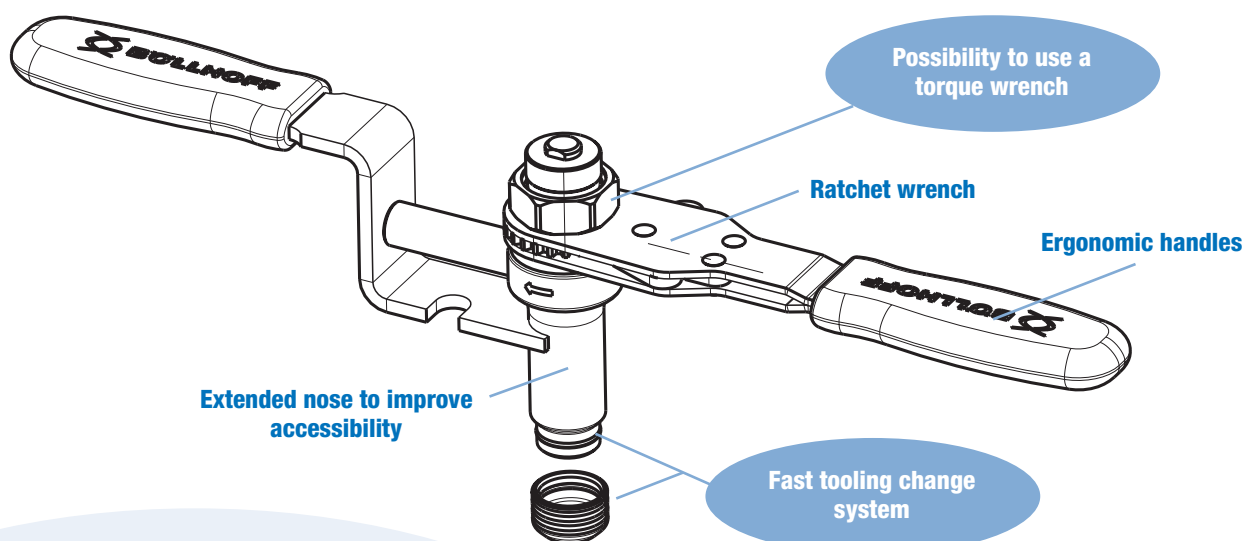
**NEW**

## Simple Robust

Ideal kit for repairing  
or setting small quantities



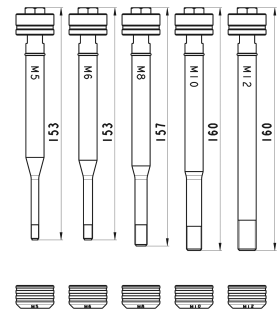
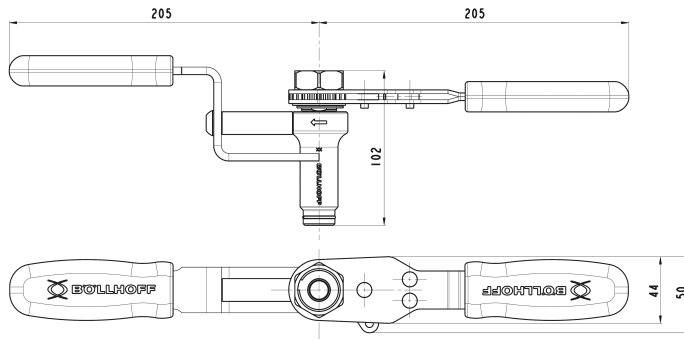
### RIVKLE® M2007 kit



Setting capacity	RIVKLE® blind rivet nuts M5 to M12
Type of blind rivet nut	RIVKLE® Classic or Plusnut
Maximum setting stroke	26 mm
Weight	1.2 Kg

**BOLLHOFF**

## Dimensions of the RIVKLE® M2007 setting tool



3 kits are available, 2 of them contain RIVKLE® plus inserts



Item code							RIVKLE® plus					
		M5	M6	M8	M10	M12	M6	M8	M10	M6	M8	M10
235 302 01000	x1	x1	x1	x1	x1	x1						
235 302 01001	x1		x1	x1	x1		x50	x25	x25			
235 302 01002	x1		x1	x1	x1					x50	x25	x25

## Spare parts

		M5	M6	M8	M10	M12	Cod.
Mandrel		05	06	08	10	12	235 302 XX 020
Anvil		05	06	08	10	12	235 302 XX 030

## Refill packs



Steel	d (mm)	L (mm)	B (mm)	e (min - max) (mm)	Ø (mm)	S (mm)	L2 (mm)	E (mm)	Cod.
	M6	14,5	13,0	0,5 - 3,0	9,0	S=5,0-e	8,0	1,5	233 07 060 230
	M8	18,0	16,0	0,5 - 3,0	11,0	S=5,5-e	11,0	1,5	233 07 080 230
	M10	22,0	19,0	0,7 - 3,5	13,0	S=6,1-e	13,9	2,0	233 07 100 235
	M6	14,0	10,0	0,5 - 3,0	9,0	S=5,1-e	8,5	0,4	343 67 060 230
	M8	17,5	12,0	0,5 - 3,0	11,0	S=6,0-e	11,1	0,4	343 67 080 230
	M10	21,0	14,0	0,7 - 3,5	13,0	S=6,5-e	14,0	0,5	343 67 100 235

Your contact

# BÖLLHOFF

Böllhoff Group  
www.boellhoff.com  
Or contact us at [fasteningtechnology@boellhoff.com](mailto:fasteningtechnology@boellhoff.com)

